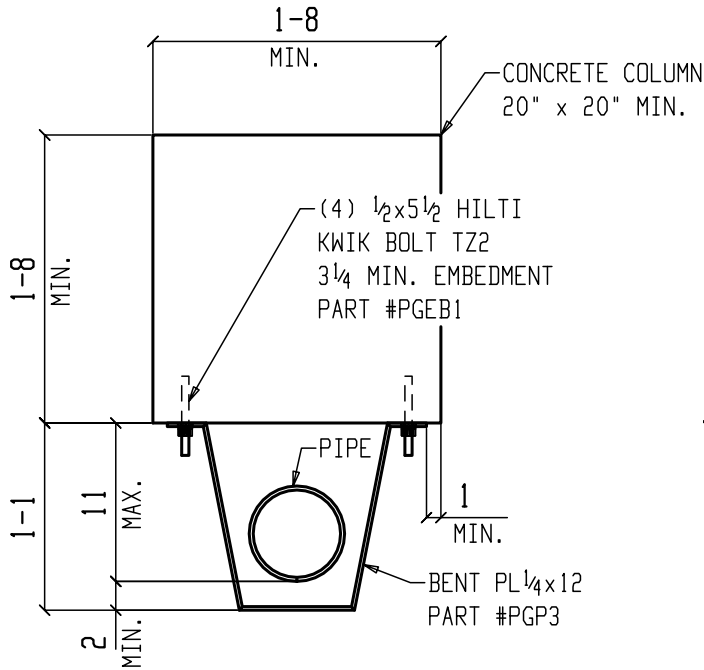
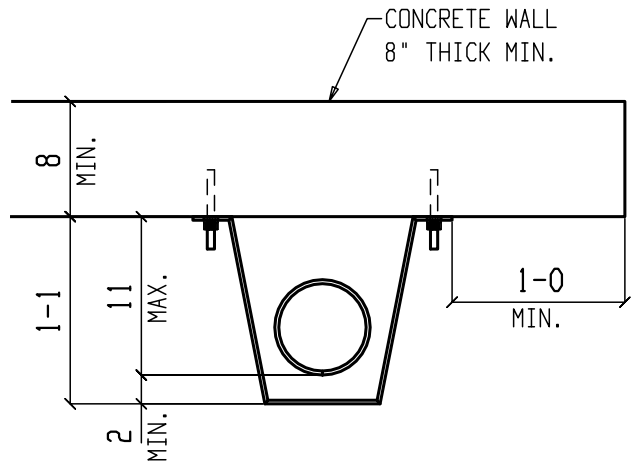


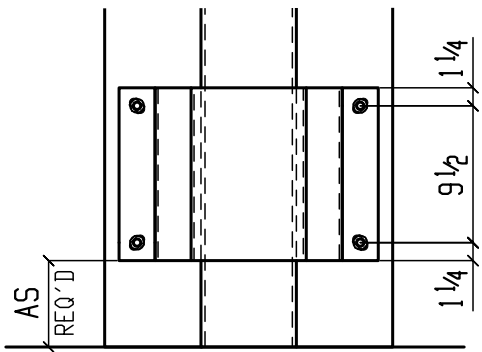
PIPE GUARD ASSEMBLY PG3  
 (1) PART #PGP3  
 (4) PART #PGEB1



PIPE GUARD PG3 @ COLUMN  
 SECTION VIEW



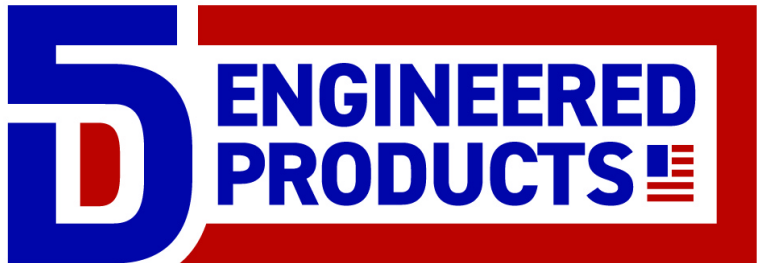
PIPE GUARD PG3 @ WALL  
 SECTION VIEW



PIPE GUARD PG3 @ COLUMN  
 ELEVATION VIEW

FOR LOAD OF 6 KIPS BENT PL THICKNESS 0.250	
WIDTH (in.)	MAX DEFLECTION (in.)
13	1.153

REQUIRED BOLTS
(4) GALV. 1/2x5 1/2 HILTI KWIK BOLT TZ2 - PART #PGEB1



ACTIVE MEMBER

PRODUCT DATA	
BENT PL SIZE	1/4x12x3-2 3/16 ±
FINISH	GALVANIZED OR YELLOW POWDER
STEEL TYPE	GRADE 50
PIPE GUARD ASSEMBLY PG3	