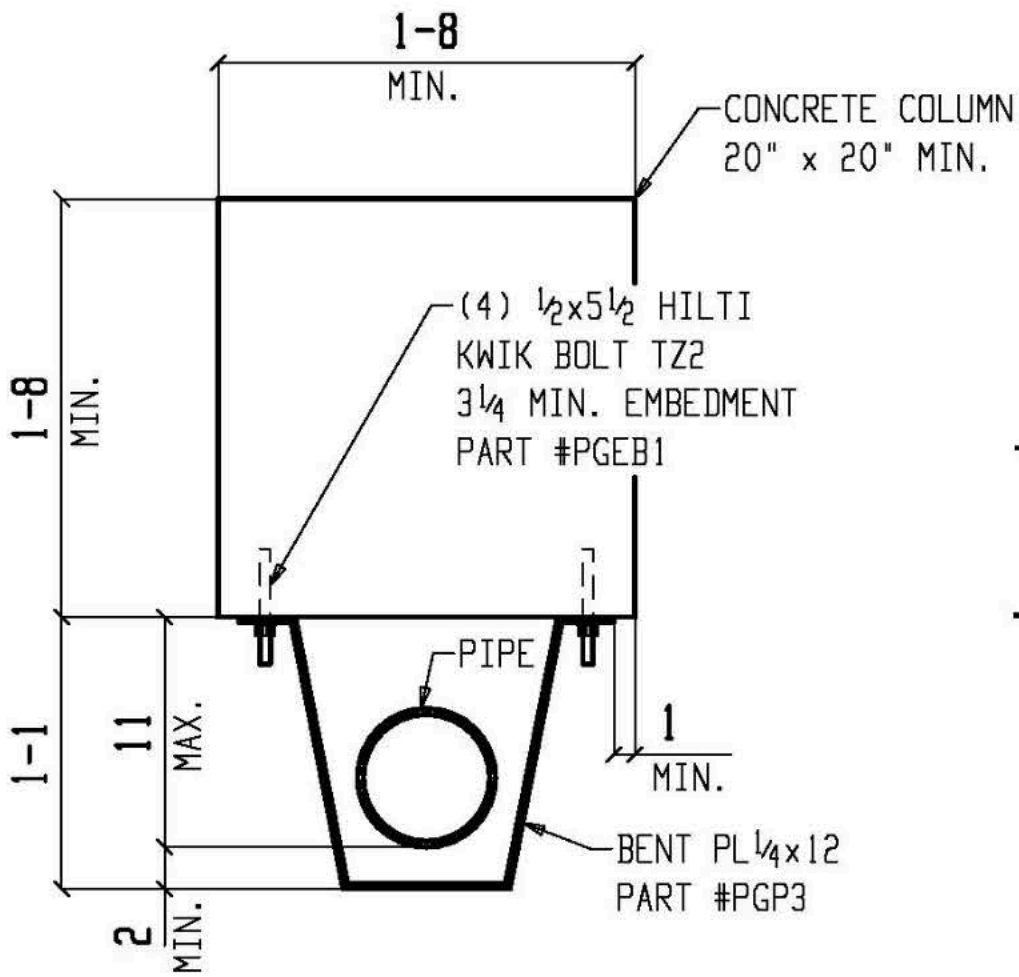
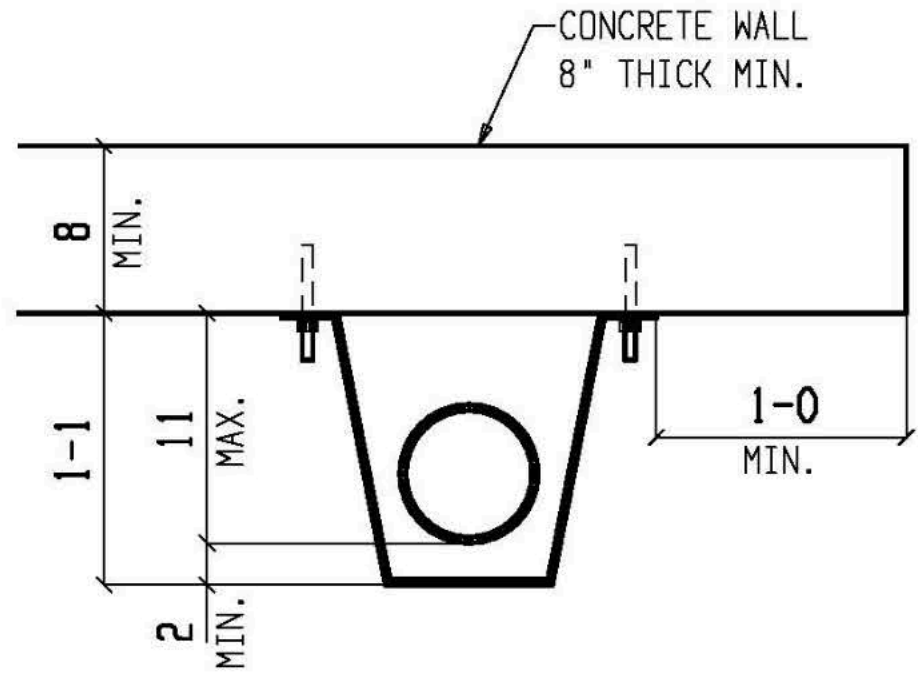


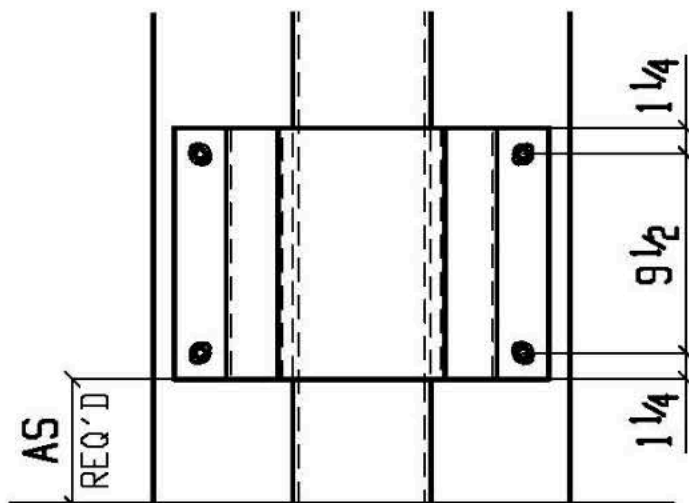
PIPE GUARD ASSEMBLY PG3
 (1) PART #PGP3
 (4) PART #PGE1



PIPE GUARD PG3 @ COLUMN
 SECTION VIEW



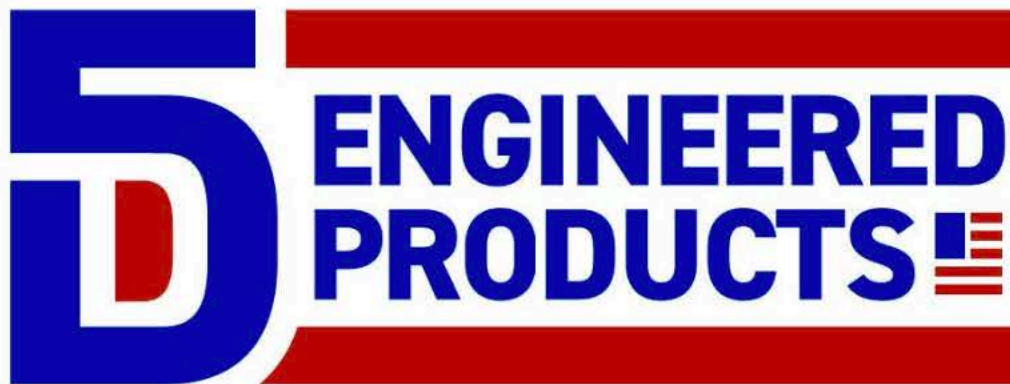
PIPE GUARD PG3 @ WALL
 SECTION VIEW



PIPE GUARD PG3 @ COLUMN
 ELEVATION VIEW

FOR LOAD OF 6 KIPS BENT PL THICKNESS 0.250	
WIDTH (in.)	MAX DEFLECTION (in.)
13	1.153

REQUIRED BOLTS
(4) GALV. 1/2 x 5 1/2 HILTI KWIK BOLT TZ2 - PART #PGE1



PRODUCT DATA	
BENT PL SIZE	1/4 x 12 x 3 - 2 3/16 ±
FINISH	GALVANIZED OR YELLOW POWDER
STEEL TYPE	GRADE 50
PIPE GUARD ASSEMBLY PG3	